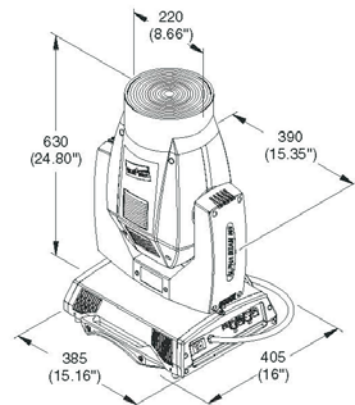
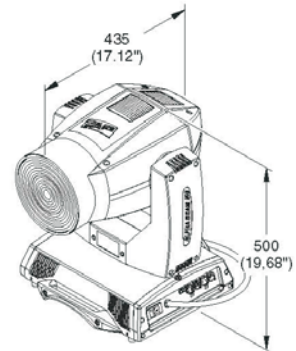


BEAM 300 MOVING HEAD

deliya[®]



VISION BEAM-300



Features:

- * **DMX CHANNEL: 14 Channel.**
 - * **COLOR WHEEL: 8 COLOR + OPEN, 2500K CTC & 3200K CTC INCLUDED**
 - * **GOBO: 8 + 1 FIXED & REPLACEABLE (Gobo 28mm image 24 max)**
 - * **STROBE: VARIABLE 1-10 PER SECOND, SHUTTER FOR BLACK OUT**
 - * **DIMMER: 0-100% DIMMER**
 - * **FOCUS: 3M INFINITY**
 - * **ZOOM: 10 > 28d**
 - * **X/Y RESOLUTION: 8/16 bit**
 - * **X/Y MOVEMENT RANGE: PAN 540 > / TILT 280**
 - * **LUMEN OUTPUT / DISTANCE : 8M/25FT = 3600LUX**
 - * **LAMP BULB : " PHILIPS" MSR-300 PGJX28 FASTIFIT LAMP 9,300K 750 HOURS LIFE
MSD 300 PGJX28 FASTIFIT LAMP 8,600K 2000 HOURS LIFE
"JENBO" NSK G 300/2 PGJX28 FASTIFIT LAMP 8,600K 750 HOURS LIFE**
 - * **POWER CONSUMPTION: 400WATTS 220v 50Hz**
 - * **DIMENSIONS: L378 x W396 x H631mm**
 - * **Net weight: 25Kg approx**
- UP TO CE & GB 7000 15-2000 STANDARD

Lamp 300W
(fitted into projector)

